

White-Rodgers 1E65-144

Line Voltage

Line Voltage Thermostat

5-Year
Warranty

- Digital Non-Programmable
- 2-Wire Non-Polarized
- For Electric Heating up to 4000W

1E65-144

Line Voltage
Non-Programmable



It's Smart, Slick and Easy.

We are raising the bar on the digital line voltage thermostats with this 25% larger backlit display. We are offering more control, more convenience and more value than the competition. And it's backed with the reputation of White-Rodgers – pioneers in home comfort.

More Accuracy and Control. If you're in the process of upgrading your electric baseboard heater, don't forget the "brain" for your new system...your thermostat. Many thermostats aren't smart enough to prevent temperature swings, so they can rob you of comfort and energy savings. But our 1E65-144 thermostat is equipped with a TRIAC technology that provides ultimate accuracy and comfort and can maintain a set temperature to within 0.1°C.

More Convenience. Our thermostat features a large backlit display with the largest readout on the market today. A configuration menu provides you with all the options a line voltage thermostat can offer.

Maximum Energy Savings. The 1E65-144 modulates your electric baseboard heater at 10% increments, keeping your set temperature within 0.1°C and saving you energy.

Display

25% Larger LCD with Great Contrast for Greater Viewing
50% Larger Characters for Easier Reading
Lighted Display for Better Low-Light Viewing

Comfort & Convenience

Permanent Temperature Setpoint Retention During Power Loss
Simple Configuration Menu to Activate Optional Features
Soft-Touch Buttons
Resolution of 0.1°C (1°F)
Display Temperature Recalibration (+/-3°)

Performance

Quiet TRIAC Switching Technology with Optional Proportional Control
Selectable Anticipation for Ultimate Performance
Celsius or Fahrenheit Compatible
Energy Savings
Standby Switch
100% Silent Operation

White
Rodgers


EMERSON
Climate Technologies

White-Rodgers 1E65-144

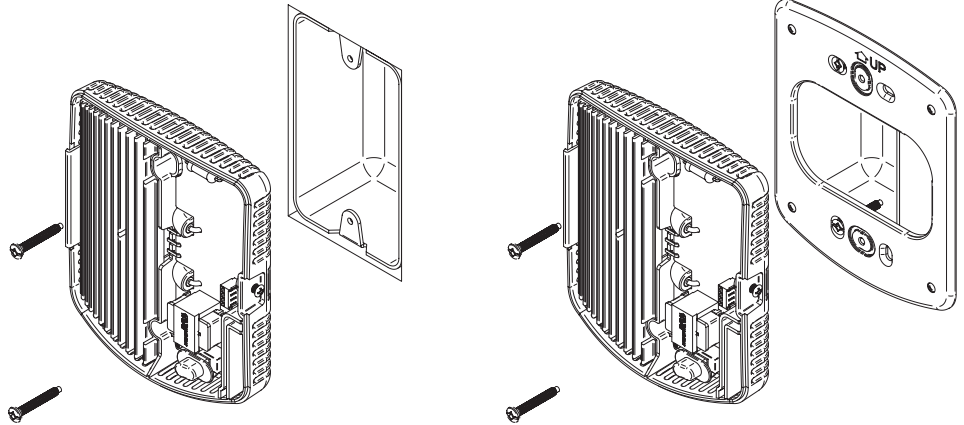
Line Voltage Thermostat

1E65-144
Line Voltage
Non-Programmable

- Digital Non-Programmable
- 2-Wire Non-Polarized
- For Electric Heating up to 4000W

Mounting

The thermostat is packed with an optional adapter plate for universal mounting. Use the plate if there is a need to offset the mounting holes on the junction box. Align and affix the wall plate to the electrical junction box using two 6-32 flathead screws (supplied).



Dimensions

4.2" W x 5" H x 1.25" D

Electrical Specifications

Rating

4000 W Max. at 240 VAC
2000 W Min. at 120 VAC
16.7 A (Resistive), 50/60 Hz, Min. 2 A

Resolution

0.1°C (1°F)

Systems

Electric heating systems such as:
baseboard heaters
radiant floors
radiant ceilings
convectors
fan-forced heaters

Thermal Specifications

Setpoint Temperature Range:
7° to 32°C (45° to 90°F)

Operating Ambient Temperature:
0° to 37°C (32° to 99°F)

Operating Humidity Range:
85% non-condensing maximum

For Additional Information

Visit www.white-rodgers.com

Features and Benefits	Honeywell RLV310	Aube TH109	CMAC IT3000	WR 1E65
Backlight				✓
Menu-Driven Options			✓	✓
Large Display				✓
Large Characters				✓
Power @ 240 VAC	3 KW	3 KW	3 KW	4 KW
Consumption Indicator	20%	20%	10%	10%
Selectable Anticipation				✓
Adjustable Temperature Display				±3°C
Temperature Resolution	0.5°C	0.5°C	1°C	0.1°C
Warranty (yrs)	3	3	1	5