



NEW



Page 74

RIGD



Page 75

OD



Page 76

PCC



Page 77

TCC



Page 78

COPC



Page 78

EMTC

NEW



Page 79

TSM

NEW



Page 79

TSMI

NEW



Page 80

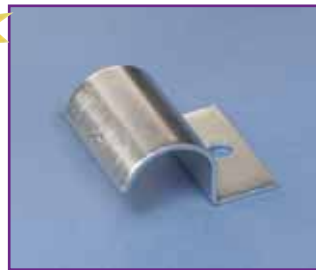
SCH

NEW



Page 81

SK



Page 82

STR



Page 82

STR2



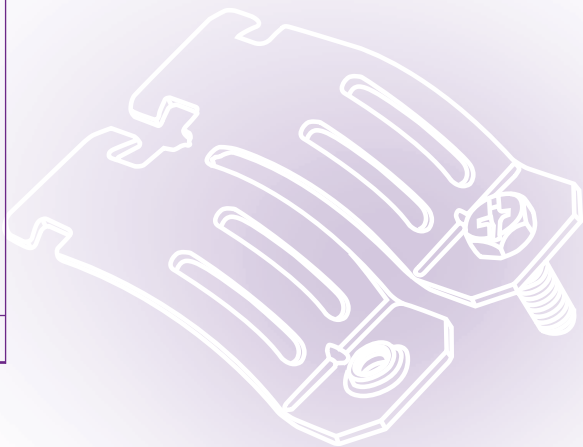
Page 83

UNIV



Page 83

VS-20



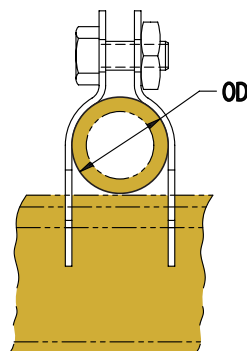
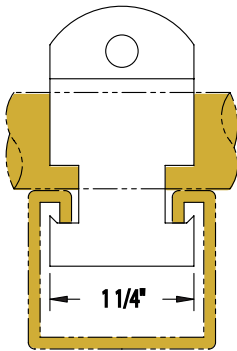
STRUT PIPE CLAMPS RIGD

Heavy Duty Strut Clamps

- Size Range: 3/8" thru 8"
- Surface Finish: Electro-zinc plated
- One piece break apart design (1/2" thru 4" pipe size) includes captive combo head machine screw and built in nut (thread impression)



Part Number	Nominal Pipe Size	OD	Strap GA	Max. Rec. Load (lbs)
RIGD0037EG	3/8"	.675"	17 GA	400
RIGD0050EG	1/2"	.840"	14 GA	400
RIGD0075EG	3/4"	1.050"	14 GA	600
RIGD0100EG	1"	1.315"	14 GA	600
RIGD0125EG	1-1/4"	1.660"	14 GA	600
RIGD0150EG	1-1/2"	1.900"	12 GA	800
RIGD0200EG	2"	2.375"	12 GA	800
RIGD0250EG	2-1/2"	2.875"	12 GA	800
RIGD0300EG	3"	3.500"	12 GA	800
RIGD0350EG	3-1/2"	4.000"	11 GA	1000
RIGD0400EG	4"	4.500"	11 GA	1000
RIGD0500EG	5"	5.563"	12 GA	1000
RIGD0600EG	6"	6.625"	10 GA	1000
RIGD0800EG	8"	8.625"	10 GA	1000



STRUT PIPE CLAMPS OD

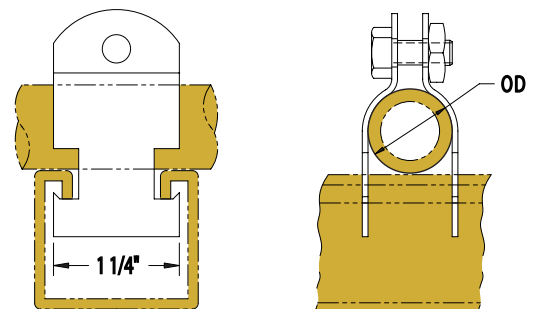
Four piece Strut Clamps for Tubing

- Size Range: 1/4" thru 8-5/8"
- Surface Finish: Electro-zinc plated
- Other sizes available upon request
- Four piece design includes hex head machine screw and square nut



Part Number	OD (in)	Strap GA	Max. Rec. Load (lbs)
OD0025EG	1/4	17 GA	400
OD0037EG	3/8	17 GA	400
OD0050EG	1/2	17 GA	400
OD0062EG	5/8	17 GA	400
OD0075EG	3/4	17 GA	400
OD0087EG	7/8	17 GA	400
OD0100EG	1	15 GA	600
OD0112EG	1-1/8	15 GA	600
OD0125EG	1-1/4	15 GA	600
OD0137EG	1-3/8	15 GA	600
OD0150EG	1-1/2	15 GA	600
OD0162EG	1-5/8	15 GA	600
OD0175EG	1-3/4	13 GA	800
OD0187EG	1-7/8	13 GA	800
OD0200EG	2	13 GA	800
OD0212EG	2-1/8	13 GA	800
OD0225EG	2-1/4	13 GA	800
OD0237EG	2-3/8	13 GA	800
OD0250EG	2-1/2	13 GA	800
OD0262EG	2-5/8	13 GA	800
OD0275EG	2 3/4	13 GA	800
OD0287EG	2-7/8	13 GA	800
OD0300EG	3	13 GA	800
OD0312EG	3-1/8	13 GA	800
OD0325EG	3-1/4	13 GA	800
OD0337EG	3-3/8	13 GA	800
OD0350EG	3-1/2	13 GA	800
OD0362EG	3-5/8	12 GA	1000
OD0375EG	3-3/4	12 GA	1000
OD0387EG	3-7/8	12 GA	1000
OD0400EG	4	12 GA	1000
OD0412EG	4-1/8	12 GA	1000
OD0425EG	4-1/4	12 GA	1000
OD0437EG	4-3/8	12 GA	1000
OD0450EG	4-1/2	12 GA	1000
OD0462EG	4-5/8	12 GA	1000
OD0475EG	4-3/4	12 GA	1000
OD0487EG	4-7/8	12 GA	1000
OD0500EG	5	12 GA	1000
OD0512EG	5-1/8	12 GA	1000

Part Number	OD (in)	Strap GA	Max. Rec. Load (lbs)
OD0525EG	5-1/4	12 GA	1000
OD0537EG	5-3/8	12 GA	1000
OD0550EG	5-1/2	12 GA	1000
OD0562EG	5-5/8	10 GA	1000
OD0575EG	5-3/4	10 GA	1000
OD0587EG	5-7/8	10 GA	1000
OD0600EG	6	10 GA	1000
OD0612EG	6-1/8	10 GA	1000
OD0625EG	6-1/4	10 GA	1000
OD0637EG	6-3/8	10 GA	1000
OD0650EG	6-1/2	10 GA	1000
OD0662EG	6-5/8	10 GA	1000
OD0675EG	6-3/4	10 GA	1000
OD0687EG	6-7/8	10 GA	1000
OD0700EG	7	10 GA	1000
OD0712EG	7-1/8	10 GA	1000
OD0725EG	7-1/4	10 GA	1000
OD0737EG	7-3/8	10 GA	1000
OD0750EG	7-1/2	10 GA	1000
OD0762EG	7-5/8	10 GA	1000
OD0775EG	7-3/4	10 GA	1000
OD0787EG	7-7/8	10 GA	1000
OD0800EG	8	10 GA	1000
OD0812EG	8-1/8	10 GA	1000
OD0825EG	8-1/4	10 GA	1000
OD0837EG	8-3/8	10 GA	1000
OD0850EG	8-1/2	10 GA	1000
OD0862EG	8-5/8	10 GA	1000



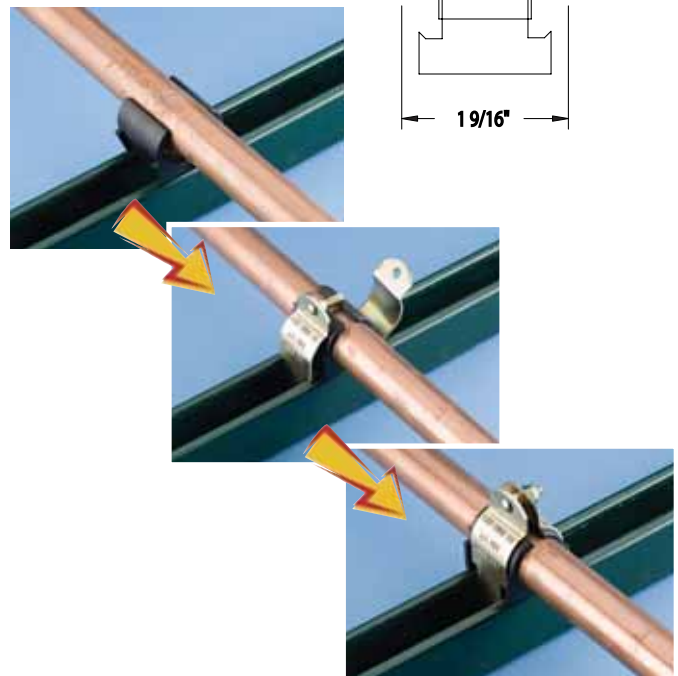
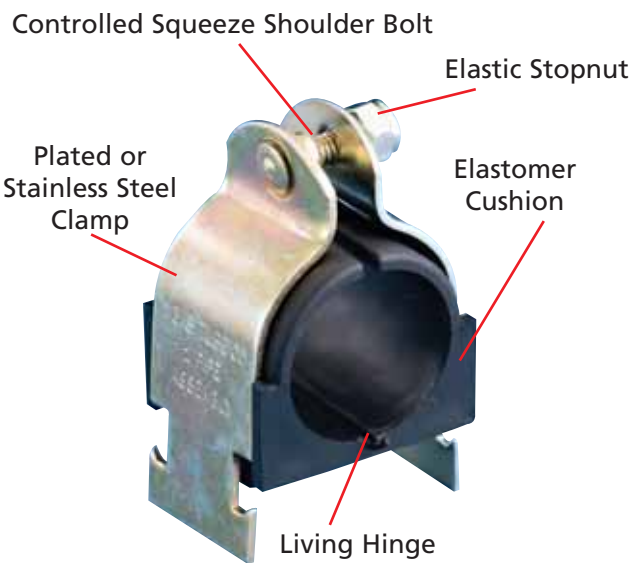
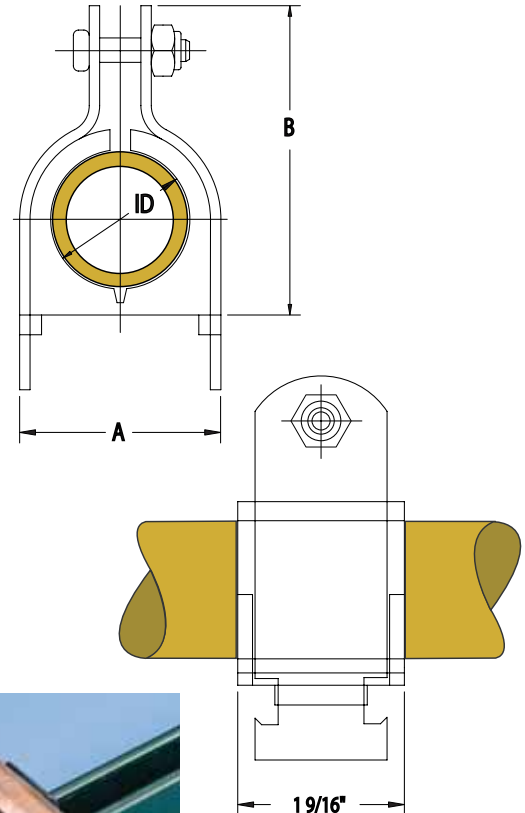
CADDY® CUSHION CLAMP PCC

Pipe Cushion Clamps

- Size Range: 1/4" thru 6"
- Surface Finish: Yellow di-chromate
- Ideal for multiple runs while absorbing shock and vibration, reducing unwanted noise and preventing galvanic corrosion
- Fits any standard 1-5/8" wide strut channel
- Interlock edges and channel locator legs help ensure that the cushion remains in place



Part Number	Nominal Pipe Size	ID	A	B
PCC0025EG	1/4"	.54"	.98"	1.34"
PCC0037EG	3/8"	.67"	1.13"	1.54"
PCC0050EG	1/2"	.84"	1.29"	1.82"
PCC0075EG	3/4"	1.05"	1.57"	2.08"
PCC0100EG	1"	1.31"	1.76"	2.34"
PCC0125EG	1-1/4"	1.66"	2.17"	2.73"
PCC0150EG	1-1/2"	1.90"	2.35"	2.86"
PCC0200EG	2"	2.37"	2.82"	3.67"
PCC0250EG	2-1/2"	2.87"	3.32"	4.17"
PCC0300EG	3"	3.50"	3.95"	4.79"
PCC0350EG	3-1/2"	4.00"	4.45"	5.42"
PCC0400EG	4"	4.50"	4.95"	5.92"
PCC0500EG	5"	5.56"	6.01"	6.92"
PCC0600EG	6"	6.62"	7.07"	8.23"



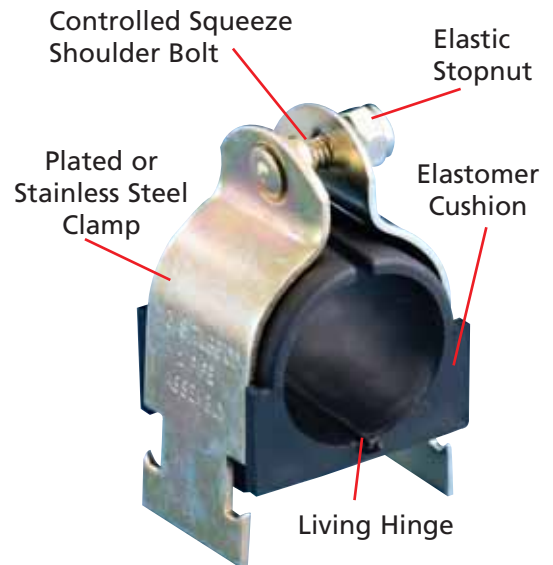
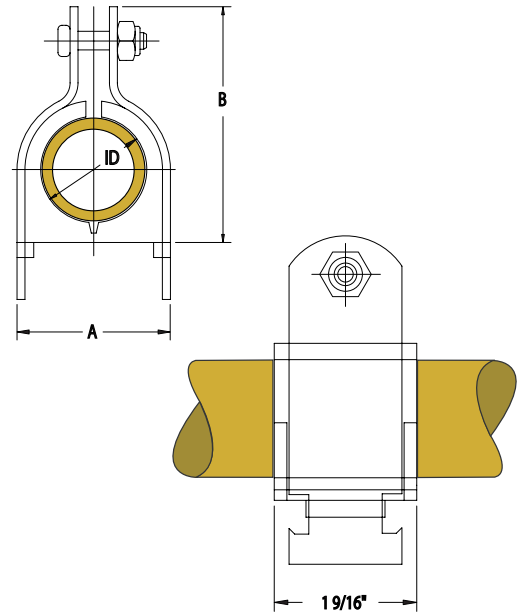
CADDY® CUSHION CLAMP TCC

Tubeing Cushion Clamps

- Size Range: 1/4" thru 6"
- Surface Finish: Yellow di-chromate
- Ideal for multiple runs while absorbing shock and vibration, reducing unwanted noise and preventing galvanic corrosion
- Fits any standard 1-5/8" wide strut channel
- Interlock edges and channel locator legs help ensure that the cushion remains in place



Part Number	Nominal Pipe Size		ID	A	B
	Copper & Steel Tubing	Copper Water Pipe (Nominal)			
TCC0025CP	1/4"	-	.25"	.62"	.98"
TCC0037CP	3/8"	1/4"	.37"	.82"	1.13"
TCC0050CP	1/2"	3/8"	.50"	.94"	1.34"
TCC0062CP	5/8"	1/2"	.62"	1.06"	1.54"
TCC0075CP	3/4"	5/8"	.75"	1.20"	1.68"
TCC0087CP	7/8"	3/4"	.87"	1.31"	1.82"
TCC0100CP	1"	7/8"	1.00"	1.44"	1.95"
TCC0112CP	1-1/8"	1"	1.12"	1.57"	2.08"
TCC0125CP	1-1/4"	1-1/8"	1.25"	1.70"	2.21"
TCC0137CP	1-3/8"	1-1/4"	1.37"	1.82"	2.34"
TCC0150CP	1-1/2"	1-3/8"	1.50"	1.95"	2.47"
TCC0162CP	1-5/8"	1-1/2"	1.62"	2.07"	2.60"
TCC0175CP	1-3/4"	-	1.75"	2.20"	2.73"
TCC0187CP	1-7/8"	-	1.87"	2.32"	2.86"
TCC0200CP	2"	-	2.00"	2.45"	3.04"
TCC0212CP	2-1/8"	2"	2.12"	2.57"	3.23"
TCC0250CP	2-1/2"	-	2.50"	2.94"	3.79"
TCC0262CP	2-5/8"	2-1/2"	2.62"	3.07"	3.92"
TCC0300CP	3"	-	3.00"	3.57"	4.29"
TCC0312CP	3-1/8"	3"	3.12"	3.57"	4.42"
TCC0331CP	3-5/16"	-	3.31"	3.96"	4.75"
TCC0362CP	3-5/8"	-	3.62"	4.20"	5.11"
TCC0412CP	4-1/8"	4"	4.12"	4.57"	5.54"
TCC0431CP	4-5/16"	-	4.34"	4.96"	5.84"
TCC0512CP	5-1/8"	5"	5.12"	5.57"	6.54"
TCC0612CP	6-1/8"	6"	6.12"	6.57"	7.54"



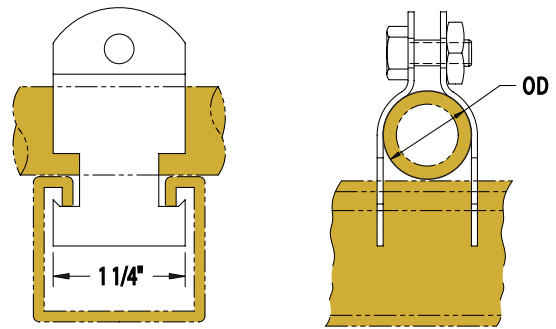
STRUT PIPE CLAMPS COPC

One piece Strut Clamps for Copper Tubing

- Size Range: 1/4" thru 6"
- Surface Finish: Copper-colored coating (for identification purposes only)
- One piece break apart design (1/2" thru 4" pipe size) includes captive combo head machine screw and built in nut (thread impression)



Part Number	Nominal Pipe Size	OD	Max. Rec. Load (lbs)
COPC0025CP	1/4"	3/8"	400
COPC0037CP	3/8"	1/2"	400
COPC0050CP	1/2"	5/8"	400
COPC0075CP	3/4"	7/8"	400
COPC0100CP	1"	1-1/8"	600
COPC0125CP	1-1/4"	1-3/8"	600
COPC0150CP	1-1/2"	1-5/8"	600
COPC0200CP	2"	2-1/8"	800
COPC0250CP	2-1/2"	2-5/8"	800
COPC0300CP	3"	3-1/8"	800
COPC0350CP	3-1/2"	3-5/8"	1000
COPC0400CP	4"	4-1/8"	1000
COPC0500CP	5"	5-1/8"	1000
COPC0600CP	6"	6-1/8"	1000



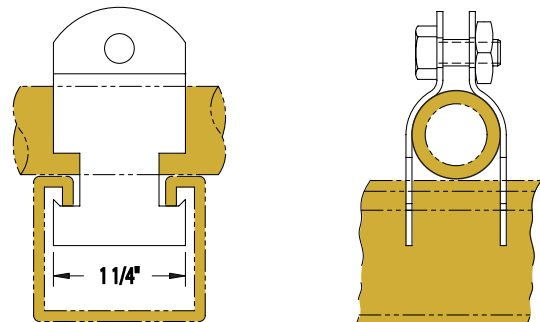
STRUT PIPE CLAMPS EMTC

Four piece Strut Clamps for EMT Conduit

- Size Range: 1/2" thru 2" EMT conduit
- Surface Finish: Electro-zinc plated
- Four piece design includes slotted hex head machine screw and square nut



Part Number	Nominal Pipe Size	Max. Rec. Load (lbs)
EMTC0050EG	1/2"	400
EMTC0075EG	3/4"	600
EMTC0100EG	1"	600
EMTC0125EG	1-1/4"	600
EMTC0150EG	1-1/2"	800
EMTC0200EG	2"	800



PIPE FIXINGS TSM

TSM Non-metallic Tubing Channel Clip

- Size Range: 1/4" thru 1-1/2" CT sizes
- Use for installation of refrigeration, A/C tubing and PEX piping in horizontal and vertical channels
- Requires no tools for installation
- Fits any standard 1-5/8" wide strut channel

Part Number	Nominal CT Size	PEX Piping	CPVC Drain Pipe
TSM0037	1/4"	1/4"	-
TSM0050	3/8"	3/8"	-
TSM0062	1/2"	1/2"	-
TSM0075	5/8"	5/8"	-
TSM0087	3/4"	3/4"	1/2"
TSM0112	1"	1"	3/4"
TSM0137	1-1/4"	1-1/4"	1"
TSM0162	1-1/2"	1-1/2"	-



PIPE FIXINGS TSMI

TSMI Non-metallic Tubing Channel Clip for Insulated Lines

- Size Range: 1/4" thru 1-1/2" CT sizes
- Use for installation of refrigeration, A/C tubing and PEX piping in horizontal and vertical channels
- Requires no tools for installation
- Fits any standard 1-5/8" wide strut channel
- Allows installation of copper tubing together with insulation of either 3/8" (9 mm) or 1/2" (13 mm) thickness

Part Number	Nominal CT Size	PEX Piping	CPVC Drain Pipe
TSMI0037	1/4"	1/4"	-
TSMI0050	3/8"	3/8"	-
TSMI0062	1/2"	1/2"	-
TSMI0075	5/8"	5/8"	-
TSMI0087	3/4"	3/4"	1/2"
TSMI0112	1"	1"	3/4"
TSMI0137	1-1/4"	1-1/4"	1"
TSMI0162	1-1/2"	1-1/2"	-



STRUT PIPE CLAMPS SCH

One-piece Strut Clips for MC/AC Cable and EMT Conduit

- Size Range: 1/2" thru 4"
- Surface Finish: Electro-zinc plated
- One-piece installation – no screws or bolts to drop
- Requires only a screwdriver or nutdriver for installation
- Fits any standard 1-5/8" wide strut channel



Part Number	Fig. No.	EMT	RIGID	Cable OD Range	Max. Rec. Load (lbs)
SCH8	1	1/2"	-	-	200
SCH12	1	3/4"	1/2"	-	200
SCH16	1	1"	3/4"	-	200
SCH20	1	1-1/4"	1"	-	200
SCH6B	2	3/8" MC/AC	-	.10" - .63"	200
SCH8B	2	1/2"	-	.34" - .71"	200
SCH12B	2	3/4"	1/2"	.57" - .92"	200
SCH16B	2	1"	3/4"	.72" - 1.16"	200
SCH20B	2	1-1/4"	1"	1.00" - 1.51"	200
SCH24B	2	1-1/2"	1-1/4"	1.25" - 1.74"	350
SCH32B	2	2"	1-1/2"	1.74" - 2.20"	350
SCH40B	3	-	2"	2.00" - 2.38"	350
SCH48B	3	2-1/2"	2-1/2"	2.38" - 2.88"	350
SCH56B	3	3"	3"	2.72" - 3.50"	350
SCH64B	3	3-1/2"	3-1/2"	3.25" - 4.00"	350
SCH72B	3	4"	4"	3.85" - 4.50"	350

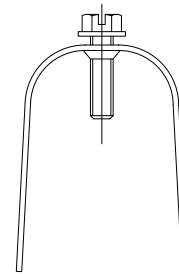


Fig.1

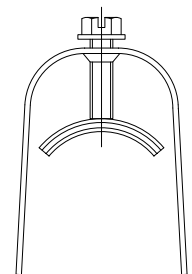


Fig.2

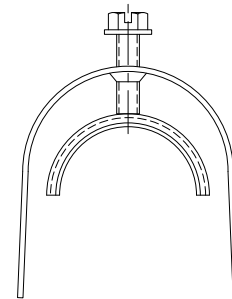


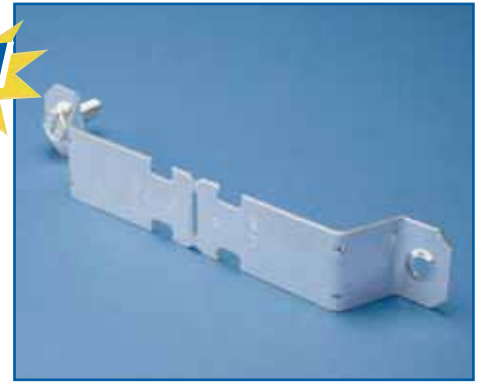
Fig.3



STRUT PIPE CLAMPS SK

One-piece Universal Strut Clips

- Size Range: 1/2" thru 4"
- Surface Finish Electro-zinc plated
- One-piece break apart design includes captive combo head machine screw and built-in nut (thread impression)
- Fits any standard 1-5/8" wide strut channel
- One size fits both EMT conduit and Rigid pipe sizes



Part Number	Fig. No.	EMT RIGID	Max. Rec. Load (lbs)
SK85I	1	1/2"	200
SK125I	1	3/4"	200
SK165I	1	1"	200
SK205I	1	1-1/4"	200
SK245I	1	1-1/2"	200
SK325I	1	2"	200
SK405I	2	2-1/2"	350
SK485I	2	3"	350
SK565I	2	3-1/2"	350
SK645I	2	4"	350

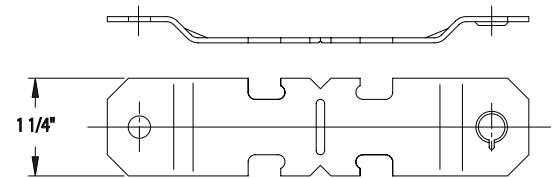


Fig.1

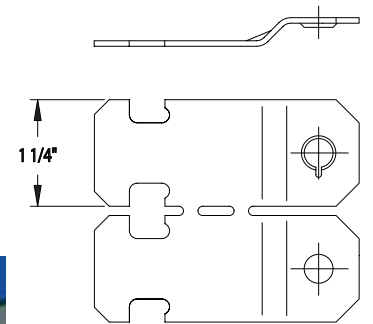


Fig.2

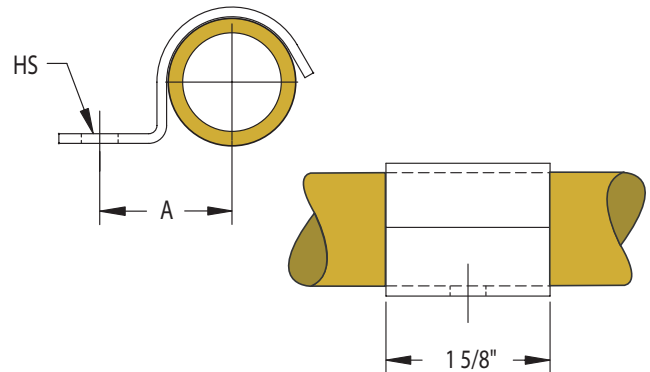
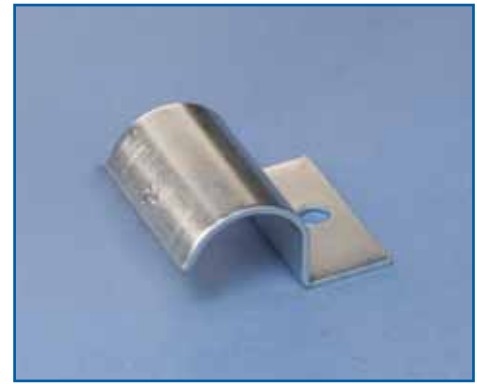


PIPE FIXINGS STR

One-hole Pipe Strap for Strut

- Size Range: 1/4" thru 1"
- Surface Finish: Electro-zinc plated
- Fits any standard 1-5/8" wide strut channel

Part Number	Nominal Pipe Size	A	HS
STR0025EG	1/4"	11/16"	9/32"
STR0037EG	3/8"	3/4"	9/32"
STR0050EG	1/2"	13/16"	9/32"
STR0062EG	5/8"	7/8"	9/32"
STR0075EG	3/4"	15/16"	9/32"
STR0087EG	7/8"	1"	9/32"
STR0100EG	1"	1-1/8"	9/32"

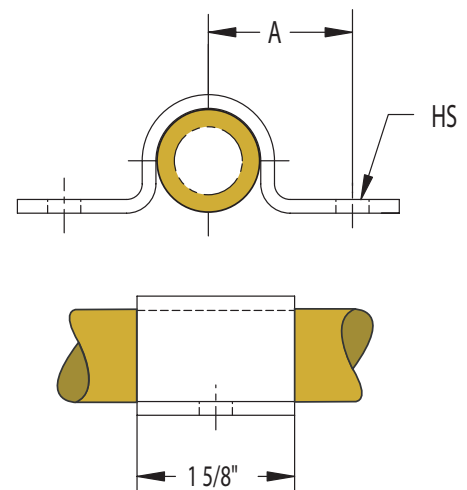
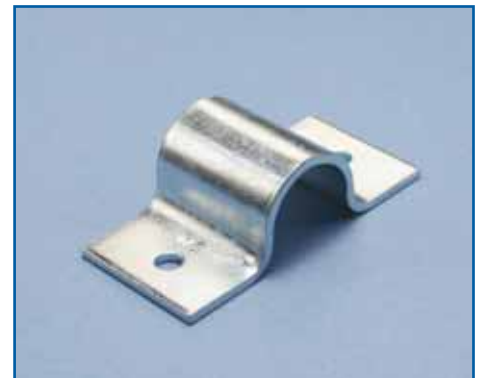


PIPE FIXINGS STR2

Two-hole Pipe Strap for Strut

- Size Range: 1/2" thru 6"
- Surface Finish: Electro-zinc plated
- Fits any standard 1-5/8" wide strut channel

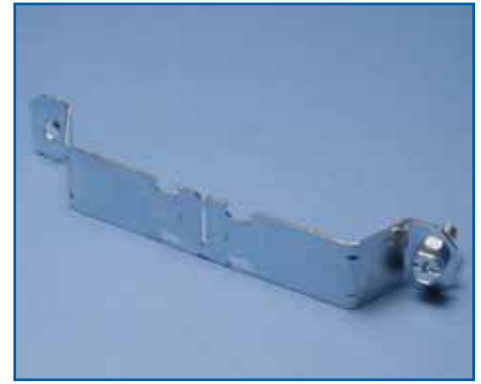
Part Number	Nominal Pipe Size	A	HS	Max. Rec. Load (lbs)
STR20050EG	1/2"	1-1/16"	9/32"	600
STR20075EG	3/4"	1-3/16"	9/32"	600
STR20100EG	1"	1-3/8"	9/32"	600
STR20125EG	1-1/4"	1-7/16"	9/32"	600
STR20150EG	1-1/2"	1-5/8"	9/32"	600
STR20200EG	2"	2-3/16"	7/16"	1200
STR20250EG	2-1/2"	2-7/16"	7/16"	1200
STR20300EG	3"	2-13/16"	7/16"	1200
STR20350EG	3-1/2"	3-1/4"	7/16"	1200
STR20400EG	4"	3-5/16"	7/16"	1500
STR20500EG	5"	3-7/8"	7/16"	1500
STR20600EG	6"	4-1/2"	7/16"	1500



STRUT PIPE CLAMPS UNIV

One-piece Strut Clip for Rigid or EMT Conduit

- Size Range: 1/2" thru 2" Rigid or EMT conduit
- Surface Finish: Electro-zinc plated
- One-piece break apart design includes captive combo head machine screw and built-in nut (thread impression)



Part Number	Nominal Pipe Size	Max. Rec. Load (lbs)
UNIV0050EG	1/2"	400
UNIV0075EG	3/4"	600
UNIV0100EG	1"	600
UNIV0125EG	1-1/4"	600
UNIV0150EG	1-1/2"	800
UNIV0200EG	2"	800



PIPE FIXINGS VS-20

Vibra-strip Cushion Strip for Strut Clamps

- Isolation material for use with strut clamps
- Inhibits galvanic corrosion
- Dampens sound and vibration
- Service temperature range of -75°F to +375°F
- P/N: VS200000

