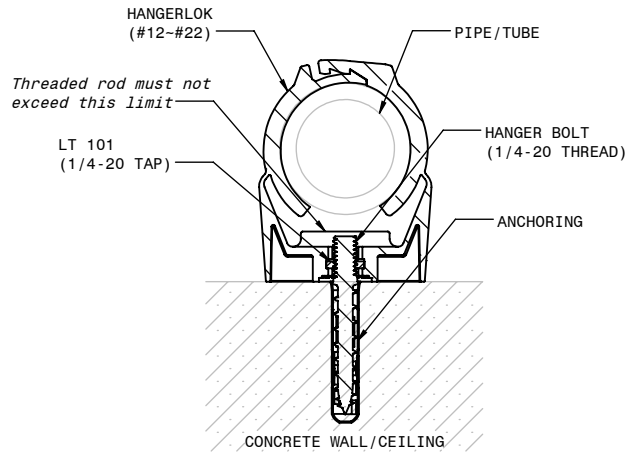
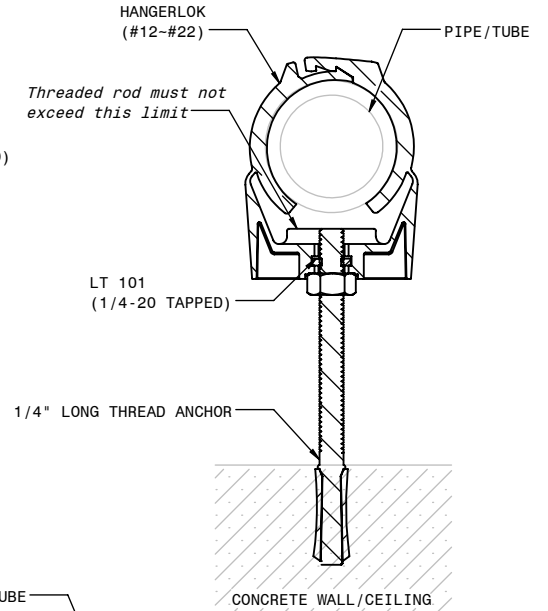


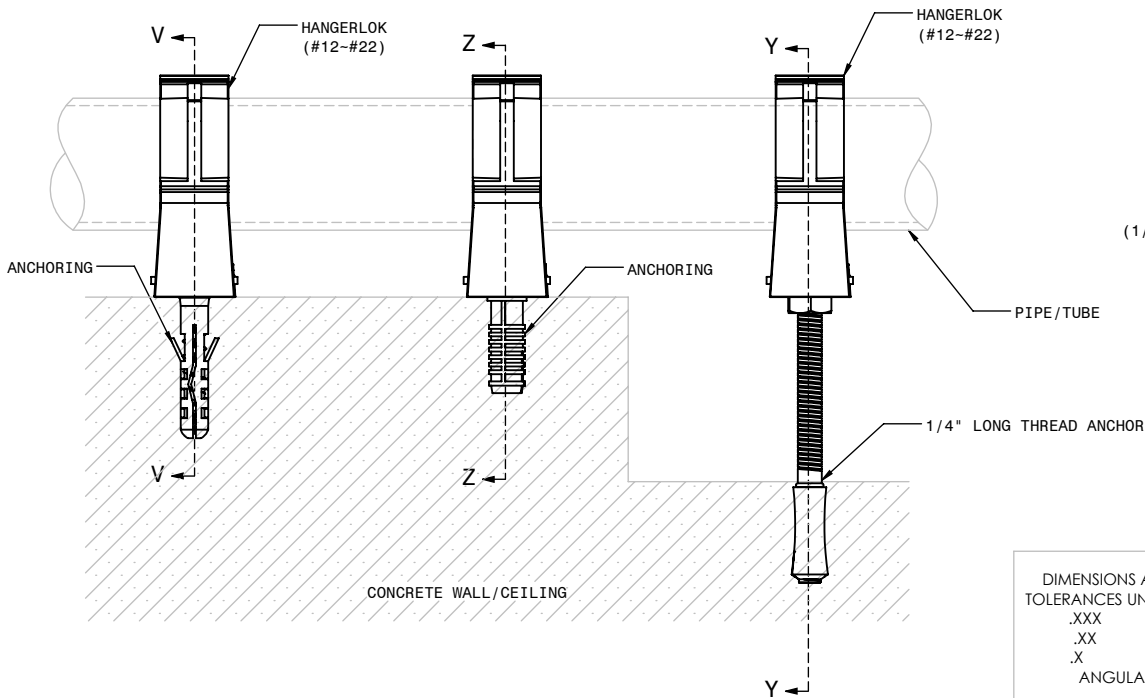
LT 101 1/4-20



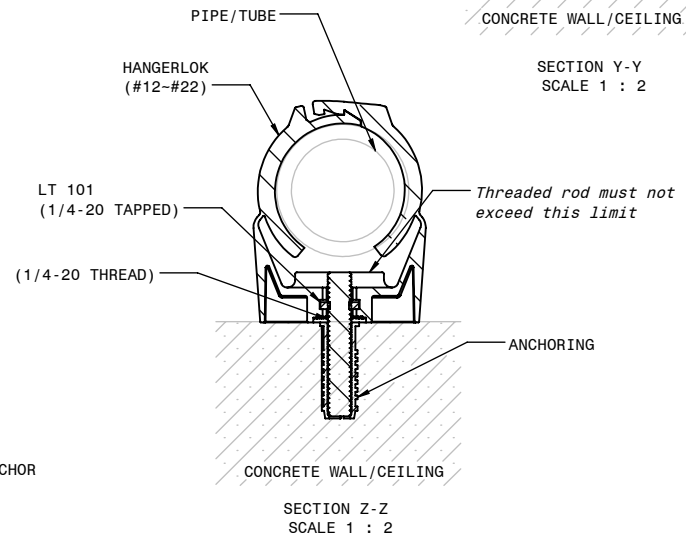
SECTION V-V  
SCALE 1 : 2



SECTION Y-Y  
SCALE 1 : 2






CONCRETE WALL/CEILING



SECTION Z-Z  
SCALE 1 : 2

**PROPRIETARY AND CONFIDENTIAL**

THIS DRAWING AND INFORMATION HEREIN IS THE PROPERTY OF LITCHFIELD INTERNATIONAL INC., AND IS TO BE USED IN STRICT CONFIDENCE. THIS DRAWING SHALL NOT BE REPRODUCED, COPIED OR GIVEN TO ANY THIRD PARTY WITHOUT EXPRESSED WRITTEN PERMISSION FROM LITCHFIELD INTERNATIONAL INC.

DIMENSIONS ARE IN: MM TOLERANCES UNLESS SPECIFIED		NAME	DATE	 <b>Litchfield International Inc.</b>
.XXX	±0.005	DRAFTSMAN	PDT	
.XX	±0.03	CHECKER		
.X	±0.01	DESIGNER		
ANGULAR	±1°	APPROVED		
MATERIAL	STAINLESS STEEL	RELEASE DATE		PART DESCRIPTION LT101 1/4-20 TAPPED
FINISH	SMOOTH	COMMENTS / REMARKS		ASSY NO. _____ PC PART NO. _____
QUANTITY	SEE NOTE	1. WEIGHT :		SIZE DWG NO. LT101 REV. 00
		2. VOLUME :		SCALE: 1:1
				 
				SHEET 1 OF 1